

Valves series A1

1/2", 3/2, electrically operated



Standard executions			
Version	Symbol	Code	Item
3/2 NC		034113	A1E430
3/2 NO		034122	A1E431
3/2 solenoid/solenoid		034123	A1E432
3/2 NC external air pilot		034137	A1K430
3/2 solenoid/solenoid external air pilot		034158	A1K432



Series of spool valves, with static seals, high flow, for panel mounting.
 Coils and connectors have to be ordered separately.
 For the coils type ASA12.../ASA2... see page 2.200.1
 For the connectors type A122... see page 2.210.20



II 2Gc IIB T5
II 2Dc T100°C

On request, they can be supplied according to 2014/34/EU - **ATEX**

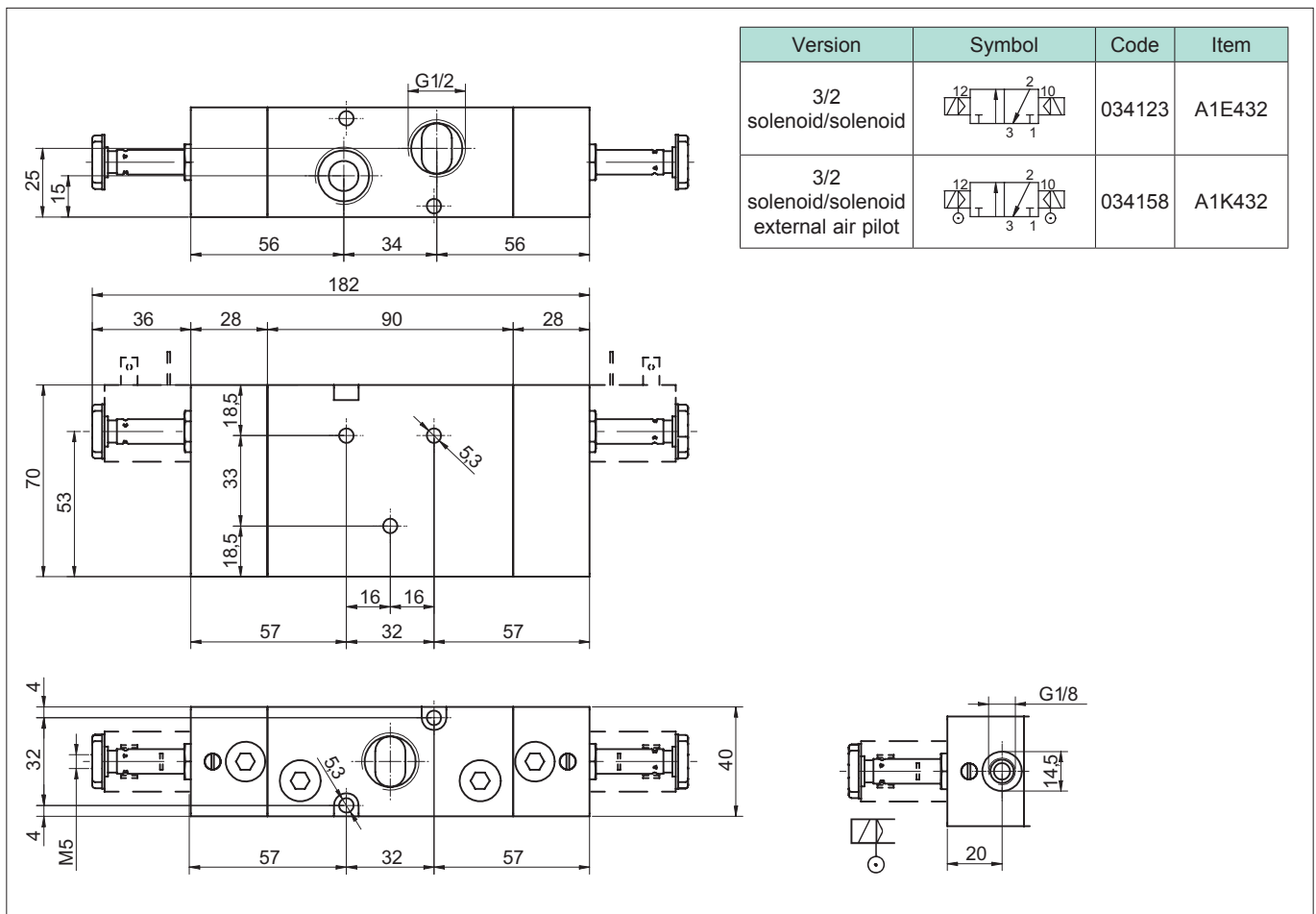
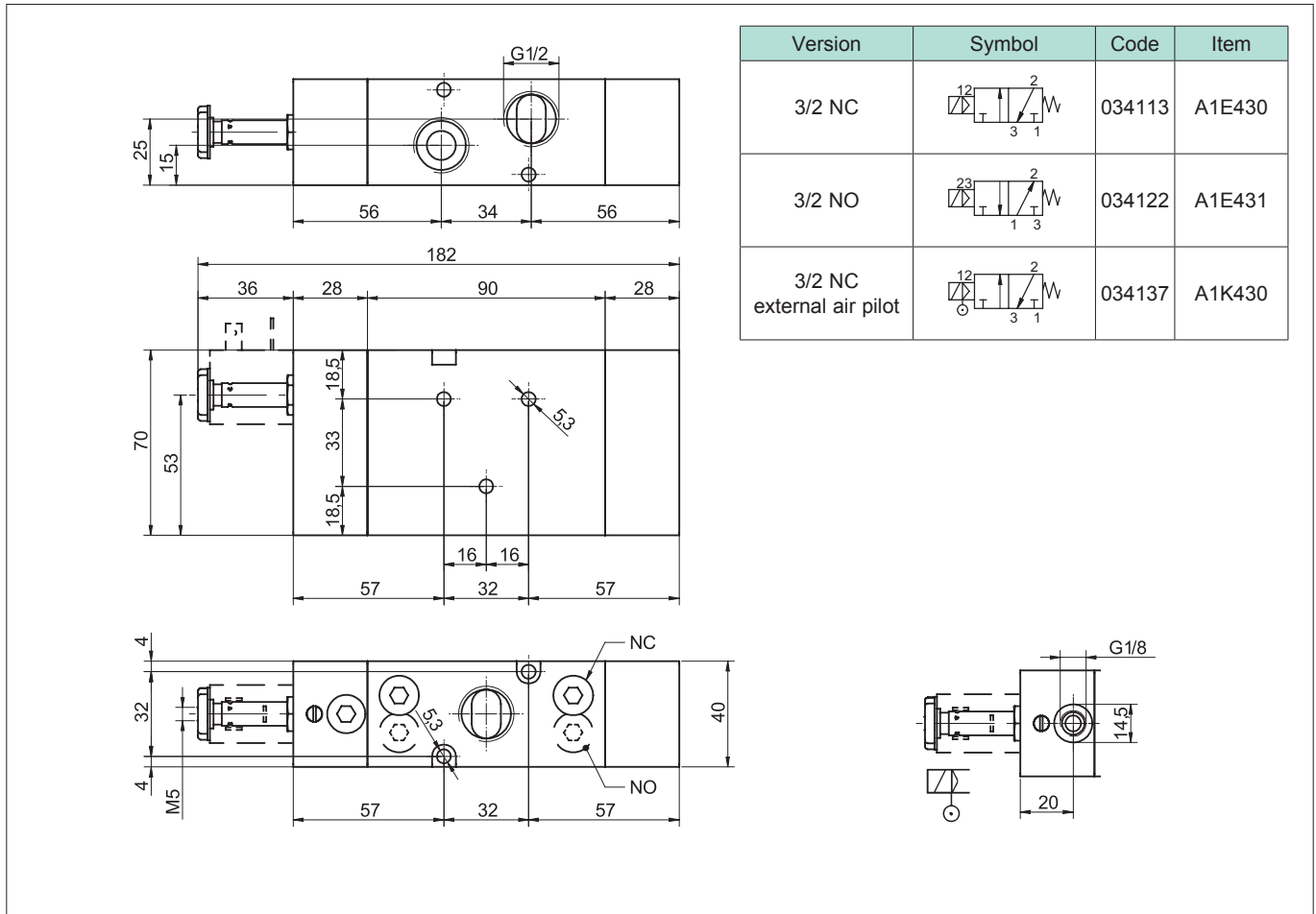
Code key

Series	Actuation	Size	Function
A1	E = electrical K = electrical with external air pilot	4 = 1/2"	30 = 3/2 NC 31 = 3/2 NO 32 = 3/2 solenoid/solenoid

Technical data			
Fluid	Compressed filtered air with or without lubrication. Lubrication, if started, must be continued.		
Pressure range	0 ÷ 10 bar		
Temperature range	-10°C ÷ +60°C		
Orifice	15 mm		
Flow	2900 NI/min at 6 bar with ΔP 1 bar		
Minimum piloting pressure	Spring return: 2,5 bar	Bistable: 1 bar	3 positions: 2,5 bar
Mounting	In any position		
Manual override	Bistable on solenoid pilot - Spring return on valve body		
Response time (at 6 bar)	solenoid/spring		solenoid/solenoid
	Energising: 60 ms	De-energising: 36 ms	Energising: 30 ms De-energising: 30 ms
Materials	Body:	Anodised aluminium	
	Covers:	Anodised aluminium	
	Spool:	Hard aluminium anodized	
	Distancers:	Aluminium	
	Seals:	Hydrogenated Nitrile Butadiene Rubber (HNBR)	

Valves series A1

1/2", 3/2, electrically operated



Valves series A1

1/2", 5/2 - 5/3, electrically operated



Standard executions

Version	Symbol	Code	Item
5/2 solenoid/spring		034114	A1E450
5/2 solenoid/solenoid		034115	A1E451
5/2 solenoid/solenoid differential		034139	A1E452
5/3 with closed centres		034124	A1E470
5/3 with open centres		034125	A1E471
5/3 with pressurised centres		034126	A1E472
5/2 solenoid/spring, external air pilot		034138	A1K450
5/2 solenoid/solenoid external air pilot		034140	A1K451
5/3 with closed centres, external air pilot		034159	A1K470
5/3 with open centres, external air pilot		034160	A1K471
5/3 with pressurised centres external air pilot		034161	A1K472



Series of spool valves, with static seals, high flow, for panel mounting.

Coils and connectors have to be ordered separately.

For the coils type ASA12.../ASA2... see page 2.200.1

For the connectors type A122... see page 2.210.20

Code key

Series	Actuation	Size	Function
A1	E = electrical K = electrical with external air pilot	4 = 1/2"	50 = 5/2 solenoid/spring 51 = 5/2 solenoid/solenoid 52 = 5/2 solenoid/solenoid differential 70 = 5/3 CC 71 = 5/3 OC 72 = 5/3 PC



On request, they can be supplied according to 2014/34/EU - ATEX

Technical data

Fluid	Compressed filtered air with or without lubrication. Lubrication, if started, must be continued.		
Pressure range	0 ÷ 10 bar		
Temperature range	-10°C ÷ +60°C		
Orifice	15 mm		
Flow	2900 NI/min at 6 bar with ΔP 1 bar		
Minimum piloting pressure	Spring return: 2,5 bar	Bistable: 1 bar	3 positions: 2,5 bar
Mounting	In any position		
Manual override	Bistable on solenoid pilot - Spring return on valve body		
Response time (at 6 bar)	solenoid/spring		solenoid/solenoid
	Energising: 60 ms	De-energising: 36 ms	Energising: 30 ms De-energising: 30 ms
Materials	Body:	Anodised aluminium	
	Covers:	Anodised aluminium	
	Spool:	Hard aluminium anodized	
	Distancers:	Aluminium	
	Seals:	Hydrogenated Nitrile Butadiene Rubber (HNBR)	

Valves series A1

1/2", 5/2 - 5/3, electrically operated

