

# Valves series A1

## 1/8", 5/2, Mechanically operated



| Standard executions  |        |        |             |
|--|--------|--------|-------------|
| Version  | Symbol | Code   | Item        |
| 5/2 lever/spring with bi-directional lever and roller            |        | 034156 | A1ME150RLB  |
| 5/2 lever/spring with adjustable bi-directional lever and roller |        | 034157 | A1ME150RLBR |



Side lever valve mechanically operated spool valve with side lever and high flow static seals.  
Panel assembly with screws.

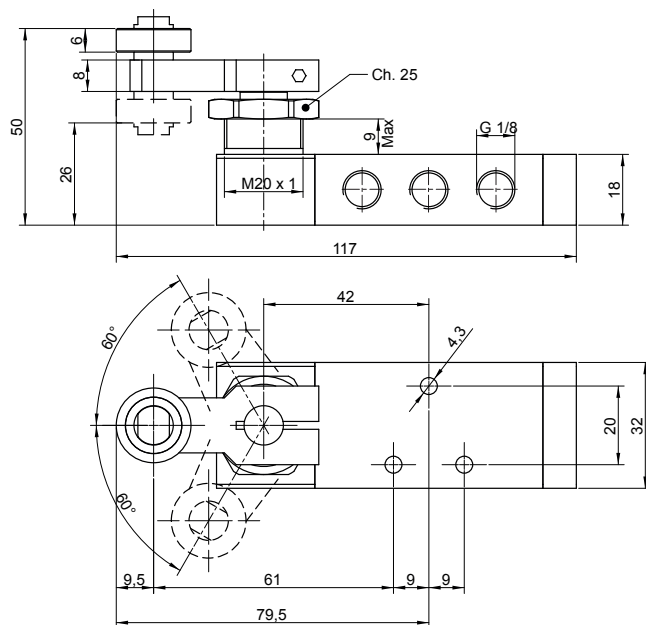
### Code key

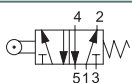
| Series | Actuation       | Size     | Function               | Actuation  |
|--------|-----------------|----------|------------------------|--|
| A1     | ME=Mechanically | 1 = 1/8" | 50 = 5/2 spring return | RLB = Lever and roller<br>RLBR = Adjustable lever and roller |

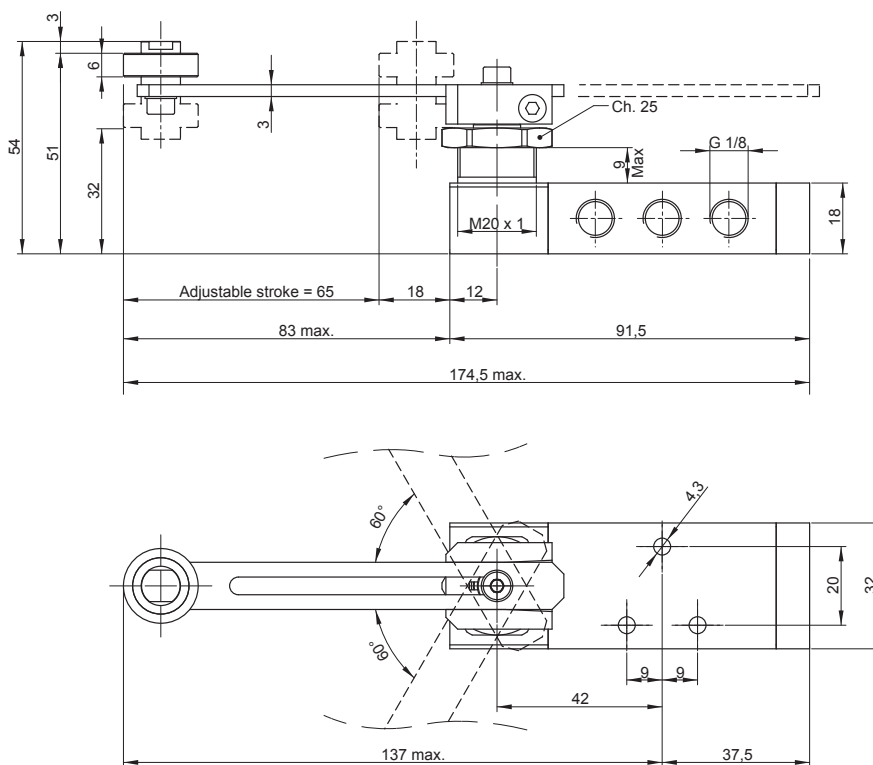
| Technical data    |   |
|-------------------|---|
| Fluid             | Compressed filtered air with or without lubrication. Lubrication, if started, must be continued.  |
| Pressure range    | 1 ÷ 10 bar  |
| Temperature range | -10 °C ÷ + 60°C   |
| Orifice           | 6,5 mm  |
| Flow              | 650 NI/min a 6 bar at ΔP 1 bar  |
| Mounting          | In any position   |
| Materials         | Body: Anodised aluminium<br>Covers: Anodised aluminium<br>Lever: Anodised aluminium<br>Spool: Hard aluminium anodized<br>Distancers: Fortron 1140 L4<br>Seals: Hydrogenated Nitrile Butadiene Rubber (HNBR) |

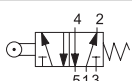


Valves series A1  
1/8", 5/2, Mechanically operated



| Version   | Symbol  | Code   | Item       |
|---|---|--------|------------|
| 5/2 lever/spring with bi-directional lever and roller |  | 034156 | A1ME150RLB |



| Version  | Symbol  | Code   | Item        |
|--|---|--------|-------------|
| 5/2 lever/spring with adjustable bi-directional lever and roller |  | 034157 | A1ME150RLBR |